

## DC-6 GHz

## Type N High Power Bi-Directional Fixed Coaxial Attenuators

- High Power (150 watts average)
- 3, 6, 10, 20, and 30 dB Versions

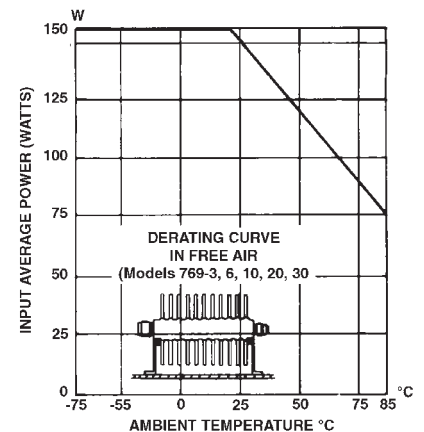
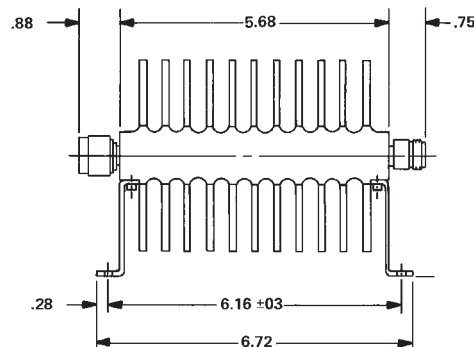
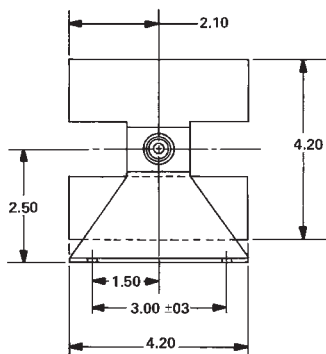
### Specifications

FREQUENCY RANGE GHz	MODEL	ATTENUATION dB		POWER INPUT		VSWR (max) D-6	WEIGHT (max)		
		NOMINAL	DEVIATION	AVG. W (max)	PEAK kW (max)		lbs	kg	
DC-6	769	3	±0.4	±.75	150	3	1.35	3.3	1.5
		6	±0.4	±.75	150	3	1.35	3.3	1.5
		10	±0.4	±.75	150	3	1.35	3.3	1.5
		20	±0.5	±1.0	150	3	1.35	3.3	1.5
		30	±0.5	±1.0	150	3	1.35	3.3	1.5

NOTE: Temperature Coefficient: 0.0006 dB/dB/°C; Power Coefficient: 0.0005 dB/dB/watt

**ORDERING INFORMATION:** Specify model number and add dash number suffix for attenuation in dB.  
For example: 769-3

### Outline Drawings



All dimensions are max. unless otherwise specified.