

Agilent 87405B

Preamplifier 10 MHz to 4 GHz

Technical Overview

Features

- 22 dB Gain
- 5 dB Noise Figure
- Probe-power bias connection via probe port from Agilent's spectrum analyzers
- Compact Size

Benchtop/General Purpose Use

Used alone on the bench, the Agilent 87405B Preamplifier can be added to any application in which additional gain and low noise are required.

The Agilent 87405B preamplifier brings reliable gain and low noise figure to measurement systems to improve overall system performance and reduce systematic errors. With its compact and portable size, this preamplifier can be powered directly from the instrument's probe-port which eliminates the need for a separate power supply and makes it an excellent choice for use in the field. The 87405B is designed for use with a variety of Agilent instruments such as the PSA, ESA, and MXA spectrum analyzers. The 87405B is the recommended preamplifier for use with the 8594E noise figure measurement solution. The rugged Type-N connectors stand up to the multiple connect and disconnects needed in field applications for reliable, repeatable measurements.



Agilent Technologies

Improve Noise Figure Measurements

Add a preamplifier to noise figure measurement systems to significantly lower system noise figure. The noise figure of the system is dominated by the noise figure of the preamplifier.

$$F_{\text{new}} = F_{\text{pa}} + \frac{F_{\text{sys}} - 1}{G_{\text{pa}}}$$

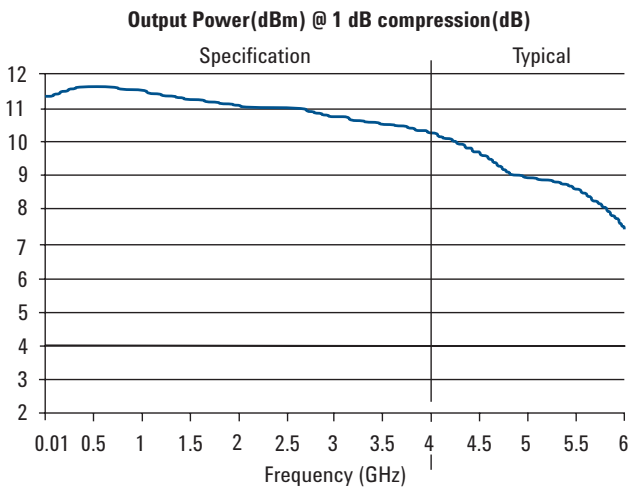
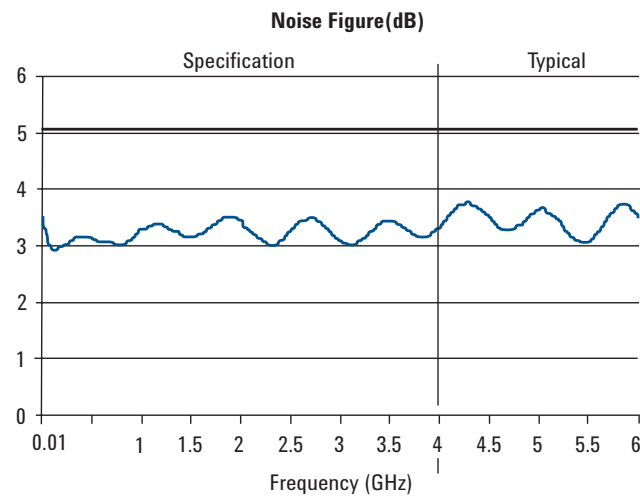
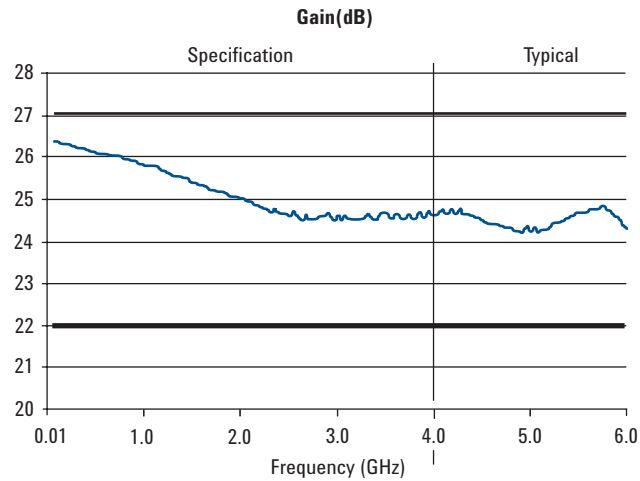
Where F and G are noise figure and preamplifier gain, both in linear terms.

$$NF_{\text{sys}} = 10 \log (F_{\text{sys}}) \text{ in dB}$$

For systems having a single preamplifier, where the gain of the preamplifier is greater than or equal to the spectrum analyzer noise figure, the system noise figure approximately equals the noise figure of the pre-amplifier.

Increase Sensitivity and Speed

Adding preamplifiers to measurement systems can improve sensitivity for measuring low-level signals. Boost the sensitivity of your Agilent spectrum analyzer 15 to 25 dB by using the 87405B preamplifier. Alternatively, better sensitivity can be traded for measurement speed. Spurious tests often require narrow resolution bandwidths to reduce the noise floor of the analyzer, allowing low-level signal detection. An analyzer with low noise figure allows you to use a wider resolution bandwidth, yet achieve the same sensitivity. Sweeps can improve one hundred times for each decade increase in bandwidth. The 87405B preamplifier has gain and noise figure characteristics that optimize dynamic range and sensitivity.



87405B Product Specifications

Frequency range	10 - 4000 MHz
Small signal gain	22 - 27 dB min-max
Gain flatness	±1.5 dB 10 - 4000 MHz
Output power (1 dB compression pt.)	8 dBm at 4 GHz
Noise figure	5 dB 10 - 4000 MHz
Third order intercept (TOI)	15 dBm typical
Harmonics (@ +4 dBm output power)	30 dBc typical
Input VSWR	1.5:1 10 - 1000 MHz 1.7:1 1000 - 2000 MHz 2.1:1 2000 - 3000 MHz 2.2:1 3000 - 4000 MHz
Output VSWR	1.9:1 10 - 4000 MHz
Impedance	50 ohms nominal
Reverse isolation	40 dB typical
Survival input power (max)	+10 dBm typical
Power dissipation	1.6 W nominal
Temperature (operating)	0 to +55 °C
(storage)	-40 to +70 °C

EMC

IEC 61326:1997
EN 61326:1997
CISPR 11:1997
This ISM device complies with Canadian ICES-001.
AC line harmonic current emissions IEC/EN 61000-3-2
Line voltage interrupt (1 cycle, 100%) IEC/EN 61000-4-11
Surge test (1.2 x 50 us, 0.5/1 kV) IEC/EN 61000-4-5
Electrical fast transients IEC/EN 61000-4-4
Radiated emissions CISPR 11, Class A
Radiated immunity (3 V/m, 80-1000 MHz) IEC/EN 61000-4-3
Conducted emissions CISPR 11, Class A
Conducted immunity (3 V, 0.15-80 MHz) IEC/EN 61000-4-6
ESD (4 kV contact, 8 kV air discharge) IEC/EN 61000-4-2



General Specifications

Bias voltage and current	15 ±6% Vdc @ 105 mA nominal
Connectors	RF Type N(f) in, N(m) out DC Probe Power Connector (f)
Weight	net 233 g, shipping 546 g

Environmental Information

Moisture resistance	65 °C at 95% RH for 10 days per Mil-Std-883C method 1004.5
Altitude, non-operating	15,000 meters per Mil-Std-883C method 1001-C

Reliability

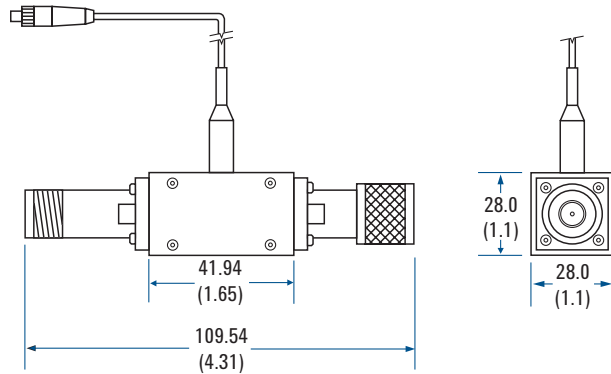
Random vibration	5.2 G (rms) to 2000 Hz per Mil-Std-883C method 2026-11A
Shock	1500 G (peak), 0.5 ms per Mil-Std-883C method 2002.3-B
Operating temperature (0 to +55 °C)	Class B2/B1 HPETM 757
Storage temperature (-40 to +70 °C)	Class B HPETM 757
5 Day Op. humidity cycle (40C/95% RH)	Class A2, B1, B2 HPETM 758, 4.6
Product safety evaluation	CSA 61010-1

Specifications describe the instrument's warranted performance over the temperature range 0 °C to +55 °C (unless otherwise noted). All specifications apply after the instrument's temperature has been stabilized after one hour continuous operation. Typical characteristics are intended to provide information useful in applying the instrument by giving typical but nonwarranted performance parameters. These are denoted as "typical" or "nominal" and apply over the temperature range 0 °C to +55 °C.

Caution: Electrostatic Discharge (ESD) can damage or destroy electronic components. It is recommended that this preamplifier, like other electronic components, be installed and operated at a static-free workstation or in an environment where precautions against ESD have been implemented.

Mechanical Dimensions

87405B Preampifier 10 MHz to 4 GHz



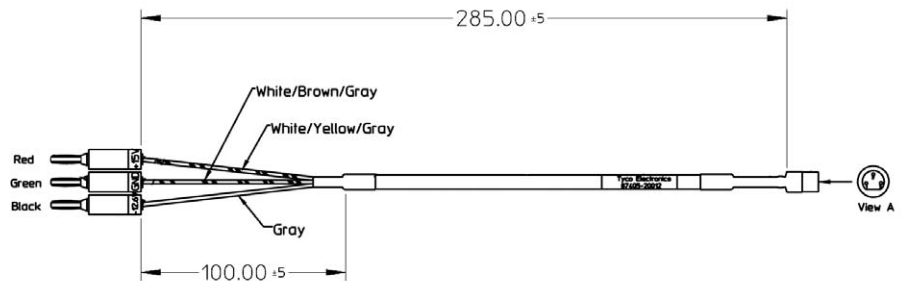
General specifications

Weight: net 233 g, shipping 546 g.

Cable nominal length is 460 mm (18.11 inches).

Note: Dimensions are in mm (inches) nominal, unless otherwise specified.

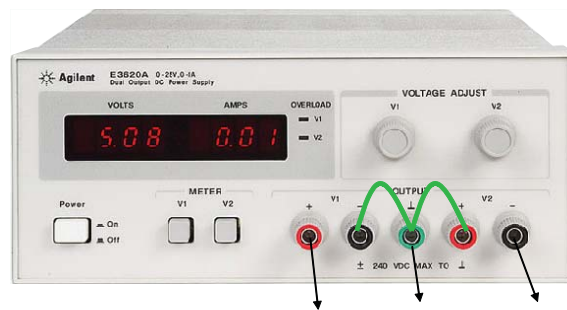
Option 001 Cable-Power Probe Connector to Banana Plugs



View A	Pin	Wire Colour	Voltage	Current	Plug Jacket Color
Ground	3	Gray	-12.6V±20%	75mA	Black
+15V	2	White/Brown/Gray	GND		Green
-12.6V	1	White/Yellow/Gray	+15V±20%	150mA	Red

Powering Up Your Preamplifier

Preamplifier biasing connection with Agilent E3620A



Set V1 to +15V

Set V2 to -12.6V

Connects to Red banana plug of the biasing cable.

Connects to Green banana plug of the biasing cable.

Connects to Black banana plug of the biasing cable.

Connect V1-, GND and V2+ together as shown in above green wires.

Ordering Information

87405B Preamplifier 10 MHz to 4 GHz
87405B Option 001 Cable

Recommended Power Supply

E3620A 50W Dual Output Power Supply
E3630A 35W Triple Output Power Supply
E3631A 80W Triple Output Power Supply
E3646A 60W Dual Output Power Supply
E3647A 60W Dual Output Power Supply
E3648A 100W Dual Output Power Supply
E3649A 100W Dual Output Power Supply

Related Literature

Noise Figure Measurement Accuracy,
Application Note 57-2, literature number
5952-3706E



Agilent Email Updates

www.agilent.com/find/emailupdates
Get the latest information on the
products and applications you select.



Agilent Direct

www.agilent.com/find/agilentdirect
Quickly choose and use your test
equipment solutions with confidence.

Remove all doubt

Our repair and calibration services will get your equipment back to you, performing like new, when promised. You will get full value out of your Agilent equipment through-out its lifetime. Your equipment will be serviced by Agilent-trained technicians using the latest factory calibration procedures, automated repair diagnostics and genuine parts. You will always have the utmost confidence in your measurements. For information regarding self maintenance of this product, please contact your Agilent office.

Agilent offers a wide range of additional expert test and measurement services for your equipment, including initial start-up assistance, onsite education and training, as well as design, system integration, and project management.

For more information on repair and calibration services, go to:

www.agilent.com/find/removealldoubt

www.agilent.com

www.agilent.com/find/mta

For more information on Agilent Technologies' products, applications or services, please contact your local Agilent office.

The complete list is available at:

www.agilent.com/find/contactus

Americas

Canada	(877) 894-4414
Latin America	305 269 7500
United States	(800) 829-4444

Asia Pacific

Australia	1 800 629 485
China	800 810 0189
Hong Kong	800 938 693
India	1 800 112 929
Japan	0120 (421) 345
Korea	080 769 0800
Malaysia	1 800 888 848
Singapore	1 800 375 8100
Taiwan	0800 047 866
Thailand	1 800 226 008

Europe & Middle East

Austria	01 36027 71571
Belgium	32 (0) 2 404 93 40
Denmark	45 70 13 15 15
Finland	358 (0) 10 855 2100
France	0825 010 700*
	*0.125 €/minute
Germany	07031 464 6333
Ireland	1890 924 204
Israel	972-3-9288-504/544
Italy	39 02 92 60 8484
Netherlands	31 (0) 20 547 2111
Spain	34 (91) 631 3300
Sweden	0200-88 22 55
Switzerland	0800 80 53 53
United Kingdom	44 (0) 118 9276201

Other European Countries:

www.agilent.com/find/contactus

Revised: March 24, 2009

Product specifications and descriptions in this document subject to change without notice.

© Agilent Technologies, Inc. 2002, 2003, 2009
Printed in USA, June 5, 2009
5988-8452EN



Agilent Technologies